

AC 87 EcoX

Self Contained Ice Machine 44 kg

Item #:

Project:

Quantity:



FEATURES

- Produces individual Gourmet crystal clear ice cubes.
- Resistant stainless steel exterior.
- Advanced diagnostics computerized controls.
- Front panel in and out airflow (air-cooled model only) for built-in installation.
- Front access condenser air filter, removable and washable (air cooled model only).
- Ergonomically designed ice storage access, with disappearing door. Door-closing movement dampening system.
- Water system protected by patented anti-scale system.



AC M 87
Medium Gourmet 20 g
Ø 30 x H 34 mm



AC S 87
Small Gourmet 8 g
Ø 21 x H 25 mm

CONDENSING SYSTEM

Air cooled

REFRIGERANT GAS

R290

VOLTAGE V/Hz/ph

230/50/1

INTERNAL BIN CAPACITY

19 kg

CERTIFICATIONS



OPERATING REQUIREMENTS

	Minimum	Maximum
Air temperature	10	43
Water temperature	5	38
Water pressure	1 bar (14 psi)	5 bar (70 psi)
Electrical voltage	-10%	+10%

IMPORTANT NOTICE:
Models and specifications are subject to change without notice.
This spec sheet is meant for commercial purpose only.
For technical documentation please refer to our service manuals.

www.scotsman-ice.it
www.scotsman-ice.com

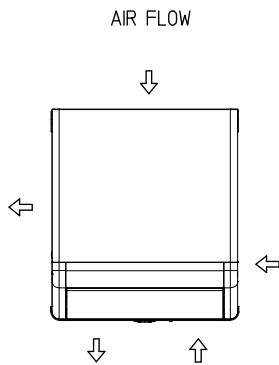
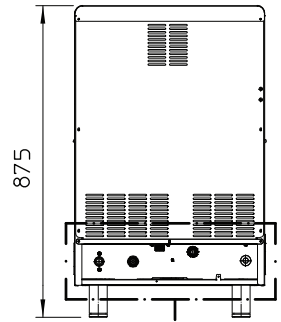
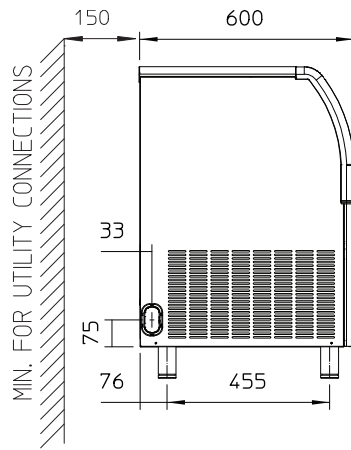
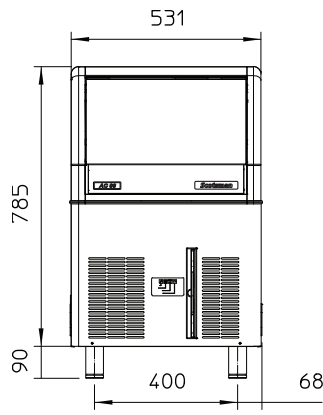
Self Contained Ice Machine 44 kg

AC 87 EcoX

Self Contained Ice Machine 44 kg

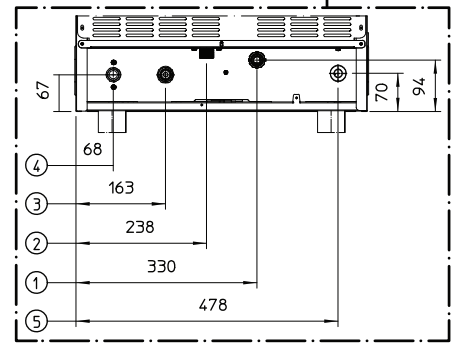
Item #:
Project:
Quantity:

Self Contained Ice Machine 44 kg



UNIT OF MEASUREMENT: mm

1. 25/32" OD - OVERFLOW DRAIN
2. 3/4" GAS - WATER INLET
3. 3/4" GAS - WATER OUTLET
WATER COOLED UNIT ONLY
4. 3/4" GAS - WATER INLET
WATER COOLED UNIT ONLY
5. CORD SET



UNIT DATA		SHIPPING DATA									
Size (W x D x H)		531 x 600 x 875 mm		Carton (W x D x H)		600 x 670 x 890 mm					
Net weight		44 kg		Weight		51 kg					
Version	Voltage	24 h ice production kg °C Amb. / °C Water			Energy consumption (*)		Water usage (*)	Instant power	Compressor	Circuit wires	Max. fuse size
		10°C/10°C kg	21°C/10°C kg	32°C/21°C kg	kWh/ 100 kg	kWh/ 24h	l/h	W	W	No. x Ømm ²	A
ACM 87 AS	230/50/1	44	44	35	30.7	10.8	3.4	570	1215	3 x 1.5	10
ACS 87 AS	230/50/1	40	39	31	35.8	11.1	5.0	580	1215	3 x 1.5	10

(*) Data refer to 32°C Amb. / 21°C Water temperature conditions