

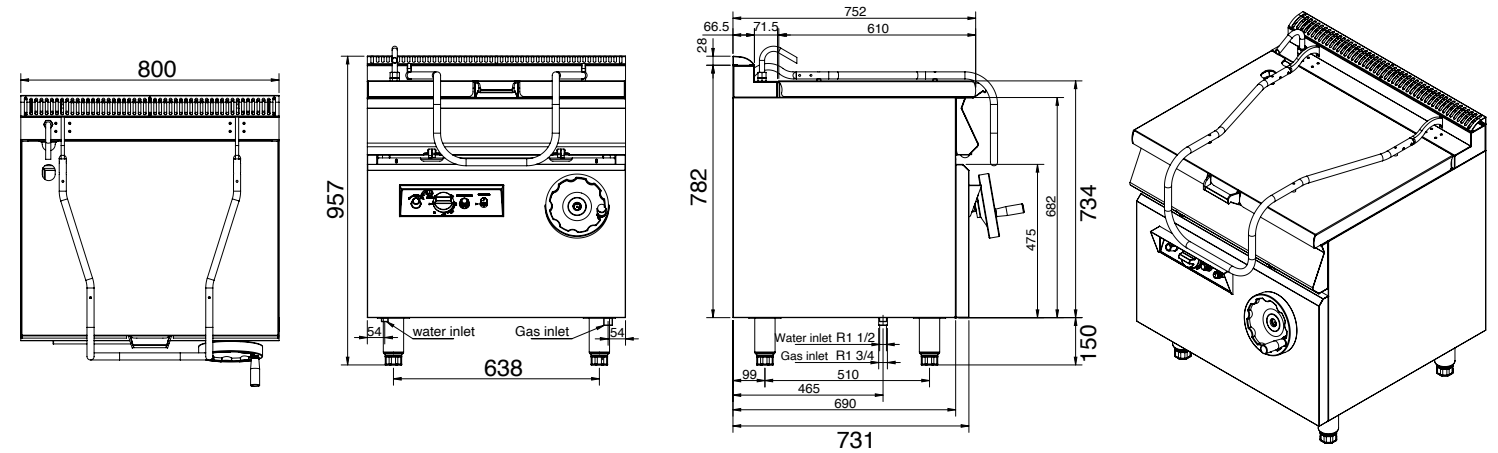


HDSBP-80

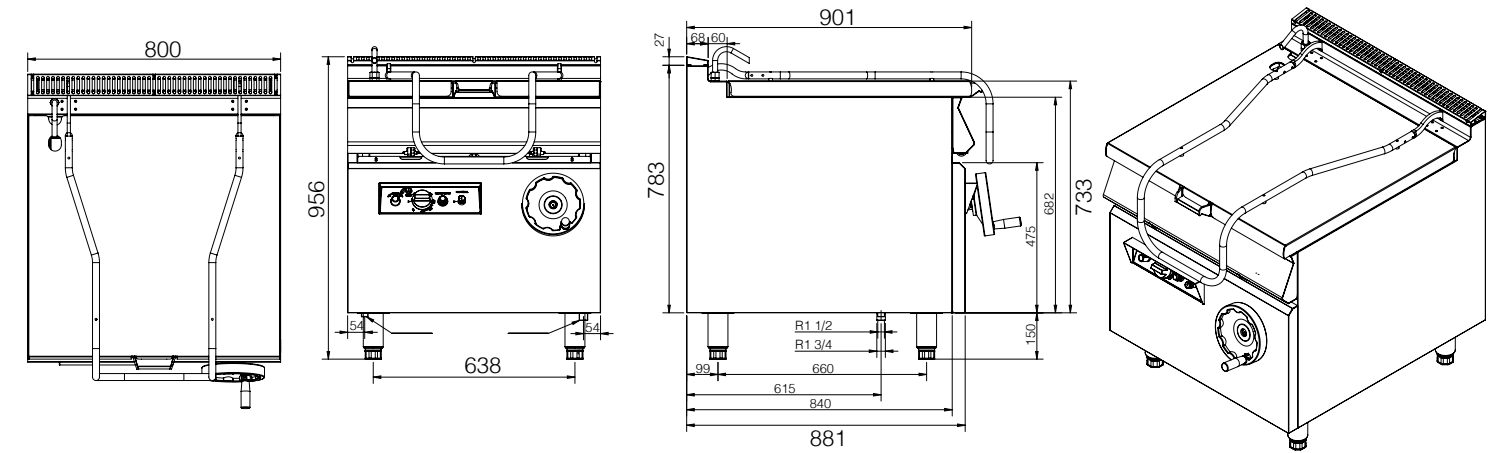
**STANDARD FEATURES**

- All stainless steel structure
- 80L/60L capacity pan
- SS316 pan bottom
- Tilting pan design for easy unloading
- Temperature can be adjusted from 60~300°C (140~572°F)
- 340°C (644°F) hi limit for safety
- Multi functional unit
- Thermal coupling for gas safety
- Standby pilot
- Stainless steel cabinet door

- Gas Products available in either Natural or LP Gas setup
- Thermostats (if applicable) available in either Fahrenheit or Celsius



HDSBP-60



HDSBP-80

MODEL	DESCRIPTION	CAPACITY	TOTAL INPUT (btu/hr)	PRODUCT (WxDxH)	NW	GW
HDSBP-60	Gas Braising Pan	60 L	72,000	800 x 700 x 850 mm 32 x 28 x 34 inches	122 kg 268 lbs	185 kg 453 lbs
HDSBP-80	Gas Braising Pan	80 L	72,000	800 x 900 x 850 mm 32 x 35 x 34 inches	153 kg 337 lbs	206 kg 31 lbs

sales@heavydutysystems.com