

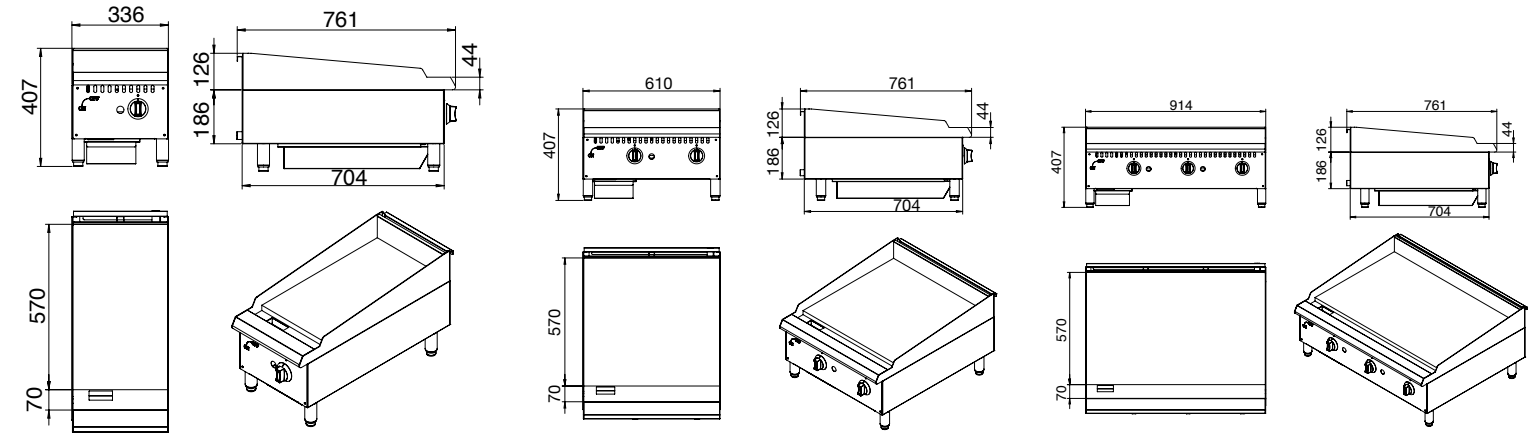


**STANDARD FEATURES**

- Steel U-shape burner, each 30,000 BTU/hr for better heat distribution
- One control every 12"
- Standby pilot for easy start
- 7/8" thickness griddle plate
- Stainless steel adjustable heavy duty legs
- Zinc alloy knob with chrome coating
- Oil collector at the bottom
- Easy conversion from natural gas to Propane or vice versa
- Stainless steel in the front and sides
- Available in 24",36",48" and 60" width
- Thermostat control



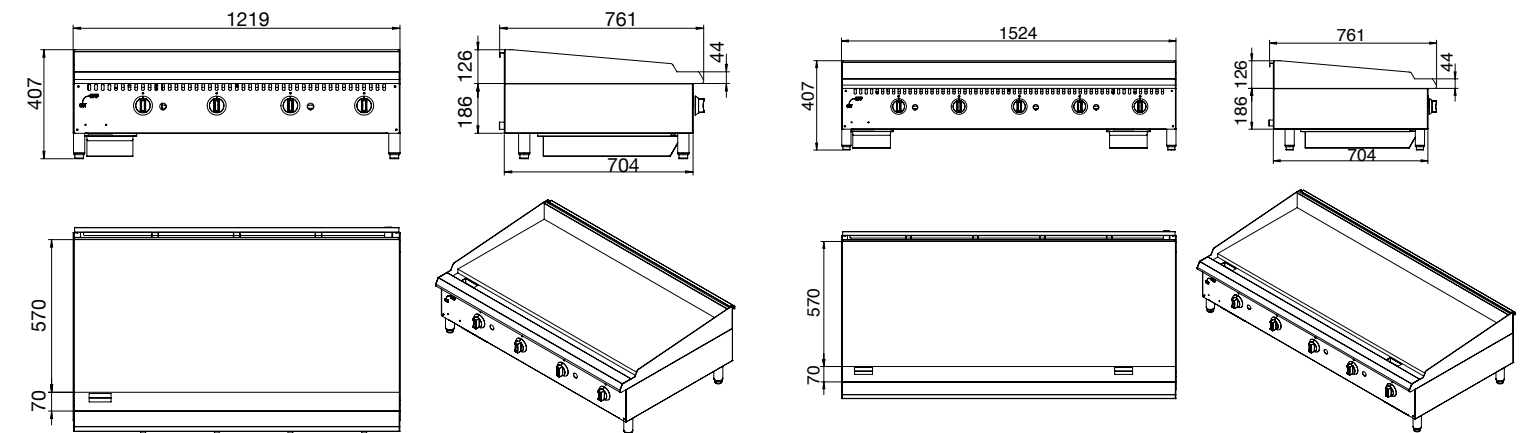
**HDSCTG-24T**



**HDSCTG-12T**

**HDSCTG-24T**

**HDSCTG-36T**



**HDSCTG-48T**

**HDSCTG-60T**

MODEL	DESCRIPTION	TOTAL INPUT (btu/hr)	PRODUCT (WxDxH)	PACKING (WxDxH)	NW	GW
HDSCTG-12T	Gas Thermostat Griddle	30,000	310 x 761 x 412 mm 12.2 x 30 x 16.2 inch	440 x 890 x 520 mm 17.3 x 35 x 20.5 inch	45 kg 99 lbs	52 kg 114 lbs
HDSCTG-24T	Gas Thermostat Griddle	60,000	610 x 761 x 412 mm 24 x 30 x 16.2 inch	890 x 890 x 520 mm 35 x 35 x 20.5 inch	80 kg 176 lbs	103 kg 227 lbs
HDSCTG-36T	Gas Thermostat Griddle	90,000	915 x 761 x 412 mm 36 x 30 x 16.2 inch	1070 x 890 x 520 mm 42.1 x 35 x 20.5 inch	110 kg 242 lbs	143kg 315 lbs
HDSCTG-48T	Gas Thermostat Griddle	120,000	1220 x 761 x 412 mm 48 x 30 x 16.2 inch	1340 x 890 x 520 mm 52.8 x 35 x 20.5 inch	152 kg 334 lbs	187kg 411 lbs
HDSCTG-60T	Gas Thermostat Griddle	150,000	1525 x 761x 412 mm 60 x 30 x 16.2 inch	1640 x 890 x 520 mm 64.6 x 35 x 20.5 inch	180 kg 396 lbs	220kg 484 lbs

sales@heavydutysystems.com

- **Gas Products available in either Natural or LP Gas setup**
- **Thermostats (if applicable) available in either Fahrenheit or Celsius**