

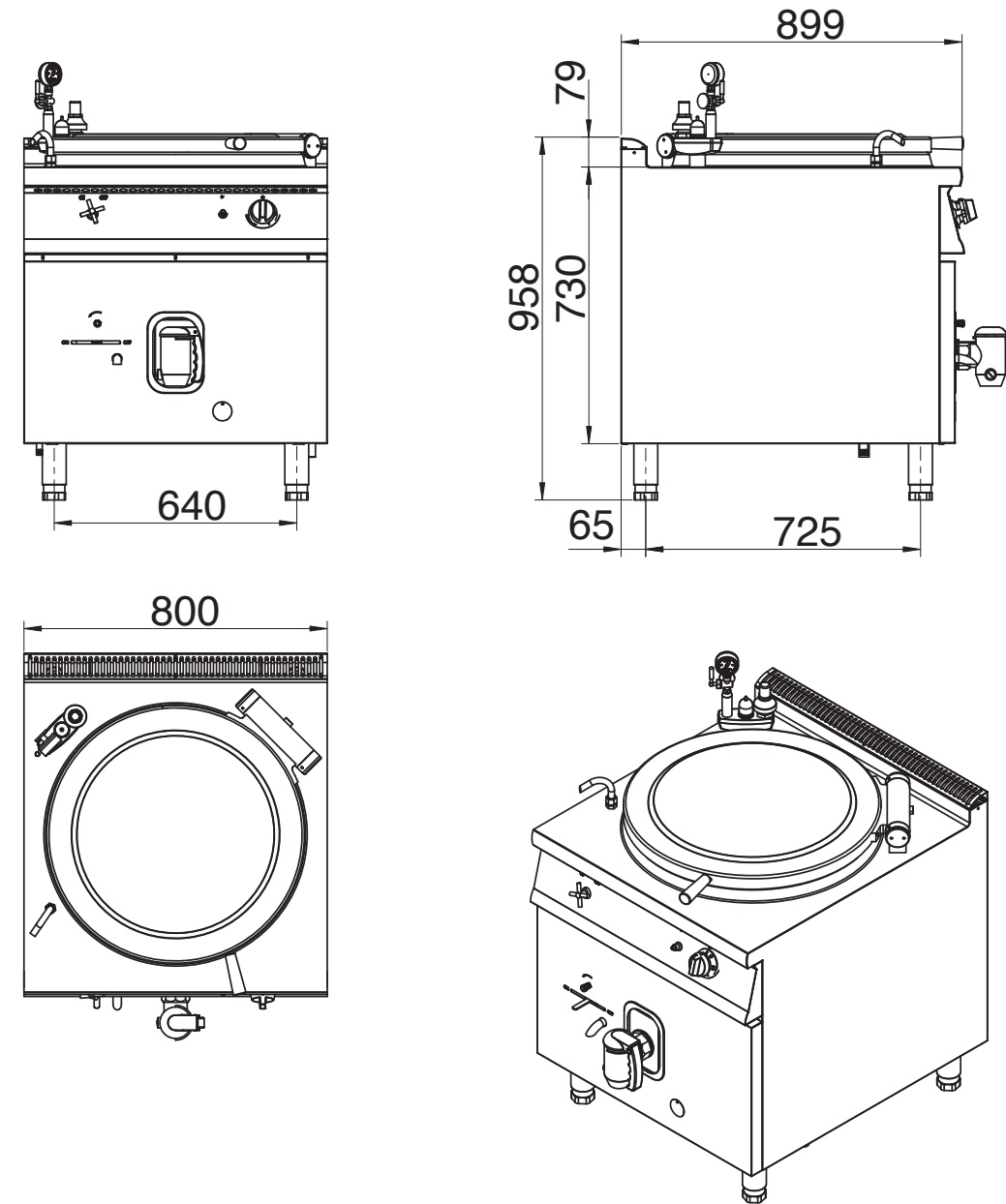


HDSSK-100

STANDARD FEATURES

- All stainless steel structure
- 60L/100L/150L capacity pan
- SS pan bottom
- Jacketed layer
- High power
- 2" drain cock
- Thermal coupling for gas safety
- Standby pilot

- Gas Products available in either Natural or LP Gas setup
- Thermostats (if applicable) available in either Fahrenheit or Celsius



HDSSK-100

MODEL	DESCRIPTION	CAPACITY	TOTAL INPUT (btu/hr)	PRODUCT (WxDxH)	NW	GW
HDSSK-100	Gas Boiling Pan	100 L	88,000	800 x 900 x 850 mm 32 x 35 x 34 inches	142 kg 312 lbs	213 kg 469 lbs
HDSSK-150	Gas Boiling Pan	150 L	88,000	800 x 900 x 850 mm 32 x 35 x 34 inches	142 kg 312 lbs	213 kg 469 lbs

sales@heavydutysystems.com