



HDSICM-350  
HDSICM-420  
HDSICM-500  
HDSICM-700  
HDSICM-1000



**AVAILABLE ICE SIZE:**

13mm x 22mm x 22mm / 0.5in x 0.9in x 0.9in  
22mm x 22mm x 22mm / 0.9in x 0.9in x 0.9in  
28mm x 28mm x 22mm / 1.1in x 1.1in x 0.9in  
32mm x 32mm x 22mm / 1.3in x 1.3in x 0.9in  
38mm x 38mm x 22mm / 1.5in x 1.5in x 0.9in

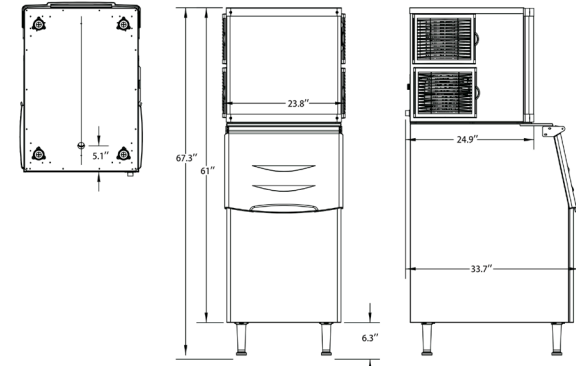
**STANDARD FEATURES**

- Intuitive Diagnostics and Controls - For ease of maintenance, a built-in diagnostic system will identify problems that your ice machine may be having and will display the issue on the digital controller so it can be repaired accordingly.
  - This easy-to-use controller can also be used to monitor the current stage of ice production that your machine is in. It also allows you to adjust the thickness of the ice, so that you can produce ice to your exact requirements, and initiate the cleaning cycle (and displays what stage of the cycle you're in).
- Stainless Steel Construction - Constructed of durable type 304 stainless steel with a polyethylene interior, HDS ice machines are built to last in the busiest commercial environments. They are also non-corrosive, making them ideal for settings that are high in moisture and humidity.
- Included Ice Scoop & Blue LED Lights - Included with each unit is an ice scoop and a hook to hang it on, so it is always within convenient reach when you need it. Blue LED Lights illuminate the interior of the ice bin, providing a clear view of the ice. This makes it easier to monitor ice levels and scoop out the ice.
- Adjustable Legs - With (4) 6" adjustable legs, you can level your machine on uneven surfaces and have plenty of room to clean under it.
- Side-Breathing with Rear Exhaust - The HDS ice machines are designed for side-breathing and rear exhaust, so you can avoid hot air being blown outward into your kitchen or service area.
- Included Single-Stage Water Filter - Included with each HDS ice machine is a single-stage water filter that will filter contaminants, and ensure your unit produces high quality ice.
- Air Cooled, Self-Contained Condensor
- Refrigerant Options - All models available in R404A refrigerant setup. Select models available in R290 refrigerant setup.
- Electrical Setup Options - All models with ice production capacity equal to or below 500 lbs/24 hrs are available in 110-120/60/1 or 208-240/50 or 60/1. All models above with ice production capacity above 500 lbs/24 hrs are available only in 208-240/50 or 60/1. Three-phase electrical setup may be available upon request.

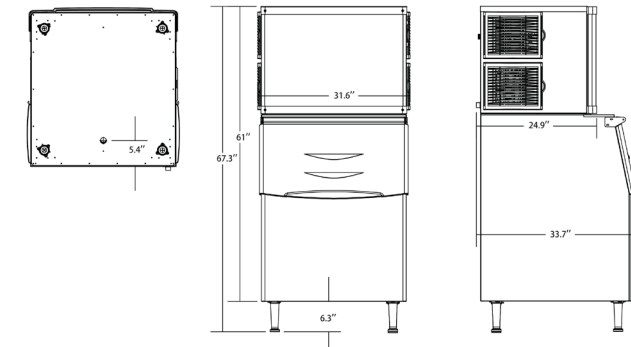
HDSICM-1000-775



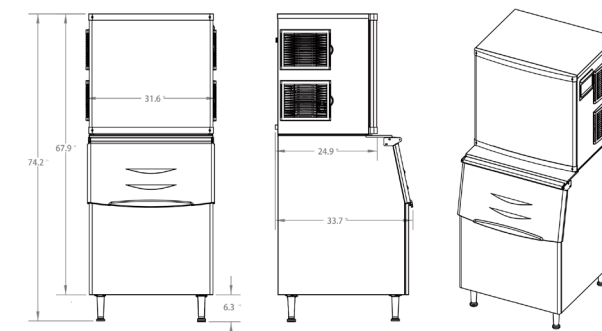
HDSICM-1500  
HDSICM-2000



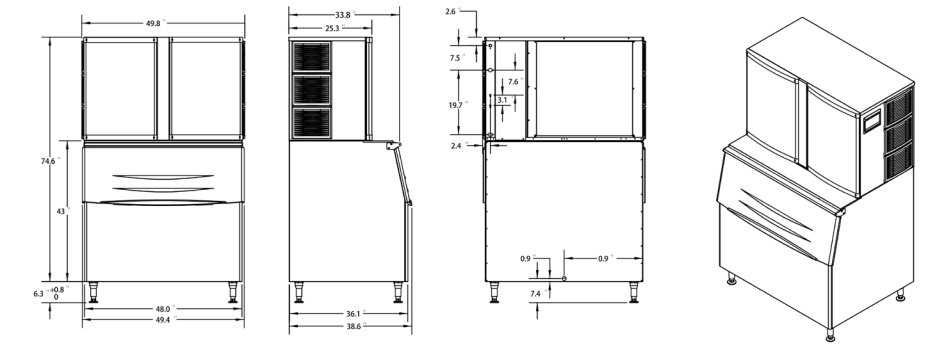
HDSICM-350 / HDSICM-420



HDSICM-500 / HDSICM-700



HDSICM-1000



HDSICM-2000

Notice: No more than 7.87inch for the drain

MODEL	ICE PRODUCTION	ICE STORAGE	GROSS WEIGHT	POWER	DIMENSION
HDSICM-350	160kg/352lbs/24h	125kg/275lbs	94kg/207lbs	790W	605 x 855 x 1710mm / 23.8 x 33.7 x 67.3in
HDSICM-420	190kg/418lbs/24h	125kg/275lbs	96kg/211lbs	919W	605 x 855 x 1710mm / 23.8 x 33.7 x 67.3in
HDSICM-500	225kg/500lbs/24h	170kg/375lbs	120kg/264lbs	1113W	803 x 855 x 1710mm / 31.6 x 33.7 x 67.3in
HDSICM-700	315kg/700lbs/24h	170kg/375lbs	122kg/269lbs	1314W	803 x 855 x 1710mm / 31.6 x 33.7 x 67.3in
HDSICM-1000	455kg/1000lbs/24h	170kg/375lbs	140kg/309lbs	1835W	803 x 855 x 1885mm / 31.6 x 33.7 x 74.2in
HDSICM-1000-775	455kg/1000lbs/24h	350kg/775lbs	200kg/440lbs	1835W	1264 x 980 x 1990mm / 49.8 x 38.6 x 78.3in
HDSICM-1500	680kg/1500lbs/24h	350kg/775lbs	220kg/485lbs	2653W	1264 x 980 x 1928mm / 49.8 x 38.6 x 75.9in
HDSICM-2000	900kg/2000lbs/24h	350kg/775lbs	270kg/595lbs	3800W	1264 x 980 x 2054mm / 49.8 x 38.6 x 80.9in

sales@heavydutysystems.com

Ice Production Data at 70°F (21°C) ambient temp. and 50°F (10°C) water temp.